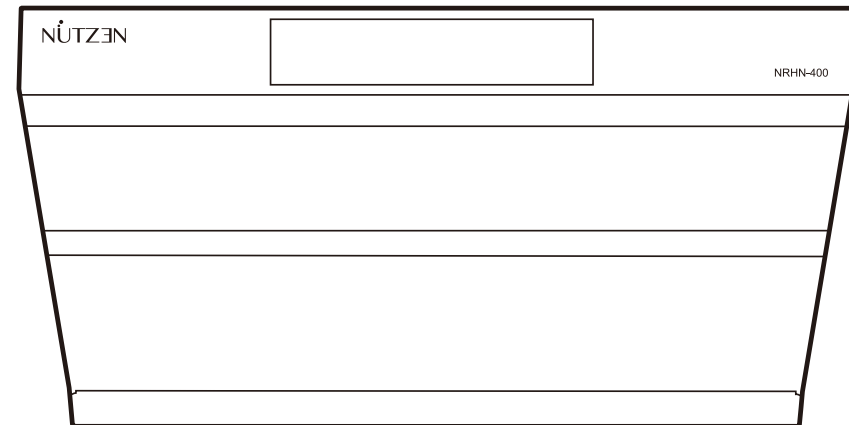


# NÜTZEN

GERMAN  
PERFORMANCE

Manual

說明書



**NRHN-400**



天曜集團 (香港) 有限公司  
Team United Group (HK) Limited

香港新界葵涌打磚坪街49-53號華基工業大廈第一期25樓F室  
Unit F, 25/F, Phase 1, Vigor Ind. Bldg., 49-53 Ta Chuen Ping St., Kwai Chung, N.T., HK



電熱除油體感雙摩打電動開合式抽油煙機

**Touch Sensor Control Range Hood**

KITCHEN REVOLUTION, TECHNOLOGY INNOVATION

## 中文說明

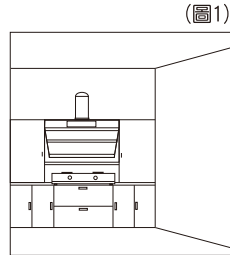
安裝原則	3
安裝施工程序	4
使用說明	5
使用注意事項	6
日常保養	7
故障及處理方法	7-8
技術規格	8
配線圖	9
跟機配件	9

## ENGLISH CONTENTS

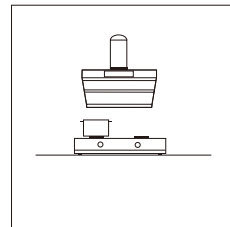
PREPARATION FOR INSTALLATION	10
INSTALLATION PROCEDURES	11
OPERATION	12
SAFETY GUIDES	13
DAILY MAINTENANCE	14
TROUBLE SHOOTING	15
SPECIFICATIONS	16
WIRING DIAGRAM	16
ACCESSORIES	17

## 安裝原則

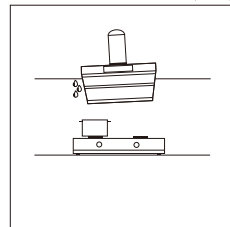
1. 電器安裝：電源一定要使用額定電壓220V~50Hz。
2. 排氣管安裝時，應符合條件中有關廢氣排放事宜，其排出口方向不得將排出之油煙釋放至燃氣或其他燃料之排氣通道。
3. 抽油煙機安裝之周圍，應避免門窗多而產生空氣對流太大，否則無法發揮排煙之效果。(圖1)
4. 抽油煙機安裝於爐具正上方。(圖2)
5. 安裝後機體不能傾斜，應保持水平，否則集油杯內積油將傾向單邊而溢出機體外。(圖3)
6. 排風出口至機體之距離，應盡量避免過長，以免氣流擠壓於管內變成阻力過大，影響其排風效果。
7. 抽油煙機之安裝高度是指爐具面至機身前距離，參考高度為300mm-350mm。(圖4)



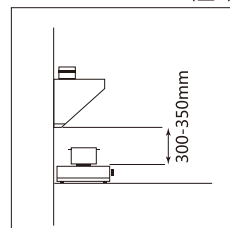
(圖1)



(圖2)

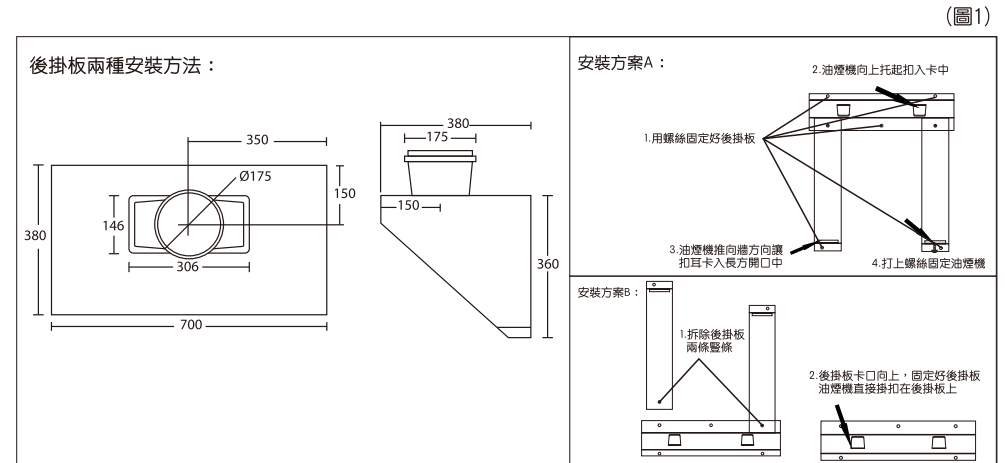


(圖3)



(圖4)

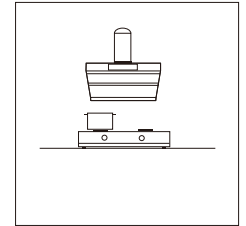
## 安裝施工程序



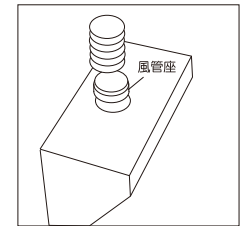
(圖1)

1. 打開紙箱檢視說明書，風管座……等附屬配件是否齊全。
2. 安裝前先接上電源操作開關上之各項功能是否正常(馬達運轉，照明)。嚴禁將手伸入抽油煙機內部以避免觸及風扇發生危險或損壞風扇。
3. 從跟機配件包取出海棉條，撕下背膠貼紙，依機體後方之左右定孔位置黏貼，再稍加按壓，使其確實固定即可。
4. 在已選定的安裝位置上用1/4"鑽頭鑽孔，並採用跟機之爆炸螺絲。
5. 此機有兩種安裝方法：(圖1)
  - 安裝方案A：置於廚櫃底部，機頂可緊貼廚櫃底。
  - 安裝方案B：一般懸空方式。

(圖2)



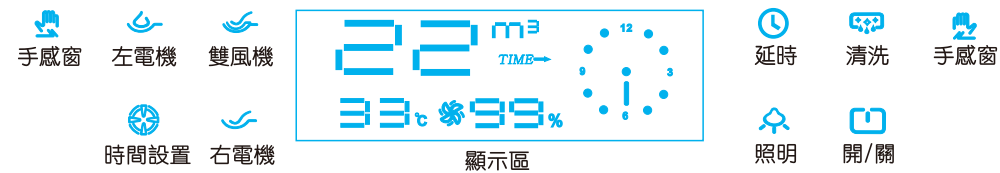
(圖3)



6. 懸掛後，機體要保持水平狀態。(圖2)
7. 排氣管之安裝位置：
  - 選擇最近可通向室外之窗戶，裝設排氣管穿牆而出。
  - 選擇最近可通向室外之牆壁(非隔牆壁)打洞，裝設排氣管穿牆而出。
  - 鑽洞時應留意牆壁結構和質料，切勿破壞牆洞以外之壁面。
  - 裝排氣管之一端套入合適之風管座，並將風管座固定於機體出風口及排氣管。(圖3)

# 使用說明

控制板圖示：



## 1. 待機/關機：

- 通電後，所有圖標亮著，2秒後圖標熄滅，機器進入關機狀態。
- 待機：在關機狀態觸摸，所有圖標亮著，進入待機狀態。開合玻璃自動打開。
- 關機：在待機狀態下觸摸，所有圖標熄滅，機器關機。開合玻璃自動關合。
- 在延時狀態下觸摸，會立即中止延時，進入關機狀態。

## 2. 延時：

在開機狀態下觸摸圖標，進入延時狀態。延時為1分鐘，之後自動關機。

## 3. 照明：

任何狀態下觸摸，該圖標亮著，照明燈開啟。再次觸摸，照明燈熄滅。

## 4. 清洗：

- 在待機狀態下，長按，進入自動蒸氣清洗狀態，清洗時間為16分鐘，16分鐘倒計時完成後自動關機。倒計時在視窗顯示。
- 在清洗過程中可長按，3秒或觸摸關機鍵停止清洗。

## 5. 左摩打鍵：

待機狀態下，觸摸圖標，左摩打進入快速運行，視窗止顯示L2 R0.再次觸摸，左摩打進入慢速運行，視窗顯示L0 R2.繼續觸摸時，回到待機狀態，風機停止運行。

## 6. 右摩打鍵：

待機狀態下，觸摸圖標，右摩打進入快速運行，視窗止顯示L2 R0.再次觸摸，右摩打進入慢速運行，視窗顯示L0 R2.繼續觸摸時，回到待機狀態，風機停止運行。

## 7. 雙摩打鍵：

待機狀態下，觸摸圖標，雙摩打進入快速運行，視窗止顯示L2 R2.再次觸摸，雙摩打進入慢速運行，視窗顯示L1 R1.繼續觸摸時，回到待機狀態，風機停止運行。

## 8. 手感窗：

- 此機有體感應窗管制開關風機功能，手掌離操控板面5cm左右操作。
- 開風機：在待機狀態下，在離開5cm左右手掌由左邊揮向右邊，直接將風機和照明同時打開，開合玻璃自動打開；
- 關風機：在風機工作時，在離開5cm左右手掌由右邊揮向左邊為關機，風機和照明同時熄滅，進入待機狀態。開合玻璃自動關合；

## 9. 時間設置：

-在關機狀態下長按3秒進入時間設置，時鐘燈閃動，按或，作加/減設定；輕按，分鐘閃動，亦按或，作加/減設定，再輕按完成操作。

# 使用注意事項

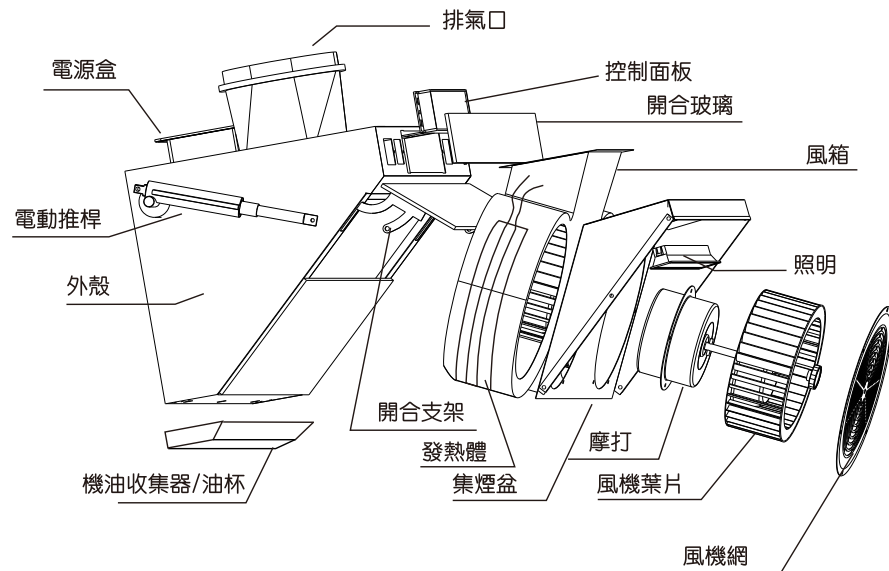
1. 切勿使用強酸或強鹼之清潔劑清洗集油杯，請使用中性和清潔劑清洗。
2. 當更換燈泡時，請先將電源插頭拔掉，並等待燈泡冷卻後再更換（約20分鐘），以免燙傷。
3. 切勿讓非合資格之技術人員拆卸本機內部。
4. 切勿在鍋具中燃火（當烹調燒酒雞之類食物，嚴禁在鍋具中燃火，以免燒壞機體）。
5. 當拆洗集油杯時，請勿開機使用。
6. 當抽油煙機和其他燃燒燃料的器具同時使用時，室內需保持足夠的通風，並避免廢氣回流於廚房內。
7. 請依照說明書指示清潔抽油煙機以避免產生火警。
8. 未放置鍋具時，不可讓抽油煙機底下的爐火空燒，以免溫度太高損壞內部機件。
9. 抽油煙機不可和其他燃燒燃料的器具使用同一個排氣管道。
10. 若電源線損壞，需由合資格之技術人員進行更換，以保安全。
11. 切勿清潔抽油煙機內部零件。
12. 切勿用有強鹼特性之清潔劑清洗扇葉，因強鹼會破壞扇葉之表面層，造成脫漆。  
若要清洗扇葉，建議用中性稀釋之清潔劑清洗，且不要浸泡太久及加溫，以免破壞表面層。
13. 請勿將接地線接於水管，燃氣管電話線等，以避免危險。
14. 請勿在抽油煙機底下，將烹調好的食物淋上白蘭地.....等易燃的佐料。
15. 此抽油煙機不可由小孩或其他精神有問題，或沒經驗的人使用，除非他們是在監護人的指示及看顧下確保其安全，才可操作。

## 日常保養

日常保養重於維修:

為發揮本機最佳效能, 延長其使用壽命, 經常注意保養。保養維修時應將插頭拔掉!

1. 常保持機體外部潔淨: 使用乾布或沾有中性清潔劑之抹布, 擦拭機體外殼底板表面, 經常清潔以保持其美觀和衛生。
2. 清除積存之油污: 當集油杯內所盛之油污已達八分滿, 需即時將油污倒掉, 以免有溢出的可能。



## 故障及處理方法

1. 使用中發現故障時, 請將開關電源切掉, 並請合資格的技術人員進行維修。
2. 處理故障時, 請關閉電源。

## 故障及處理方法

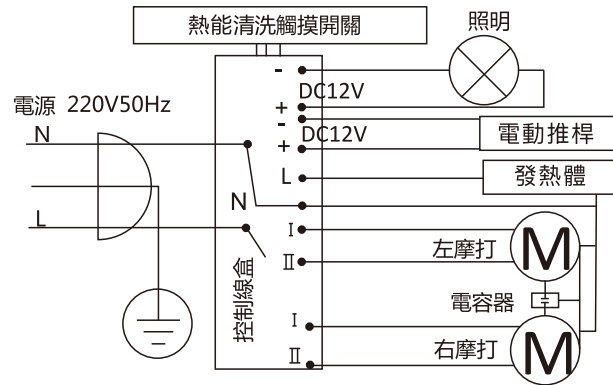
狀況	原因及處理方法
電源線損壞	<ul style="list-style-type: none"> <li>更換電源線</li> <li>電源線規格: VDE H 05VV-F 0.75mm<sup>2</sup>X 3C 綠黃接地線附圓型端子</li> <li>插頭規格: 250V/13A 三腳扁插頭</li> </ul>
燈亮馬達不轉	<ul style="list-style-type: none"> <li>若電容器燒毀, 則須更換電容器</li> <li>馬達處有一股燒毀味, 馬達可能已經燒毀, 必須更換新電馬達</li> </ul>
機體震動	<ul style="list-style-type: none"> <li>查看馬達是否鎖緊</li> <li>如馬達已鎖緊, 則是扇葉受損; 不平穩轉動會產生機體震動, 應更換扇葉</li> </ul>
吸力不強	<ul style="list-style-type: none"> <li>抽油煙機與爐面的距離太遠</li> <li>抽油煙機周圍環境門窗通風多, 對流太大</li> <li>抽油煙機裝置於窗戶處所導致, 最好在抽油煙機後部下方放一塊板子, 與抽油煙機後部對齊, 遮住窗戶</li> <li>參考安裝原則及安裝注意事項進行安裝</li> </ul>
機體裝設歪斜	<ul style="list-style-type: none"> <li>如左右歪斜則由吊鐵調整左右高度</li> <li>如向前傾斜, 則由木螺絲再行鎖入牆壁, 或查看吊鐵固定於機體的螺絲是否鬆落</li> </ul>

## 技術規格

型號	NRHN-400
外殼顏色	不銹鋼
電壓	220V~50Hz
控制面板	輕觸式
照明	LED 1X3W
排風口徑	Ø 160mm / Ø 6.5"
排風量	960m <sup>3</sup> /h
最高耗電量	253W
體積 (闊*深*高)	700x380x360mm

## 配線圖

(左/右) 電機觸摸開關熱能清洗抽油煙機配線圖

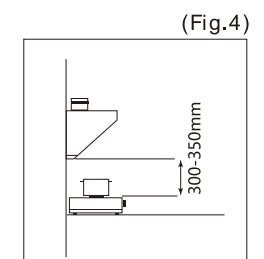
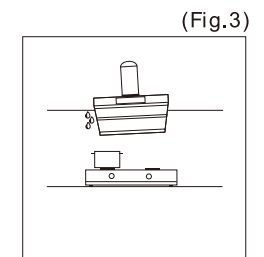
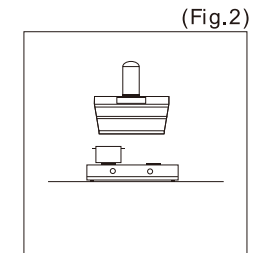
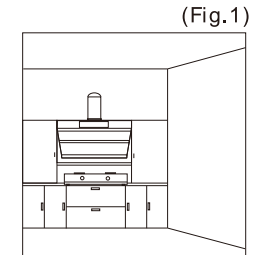


## 跟機配件

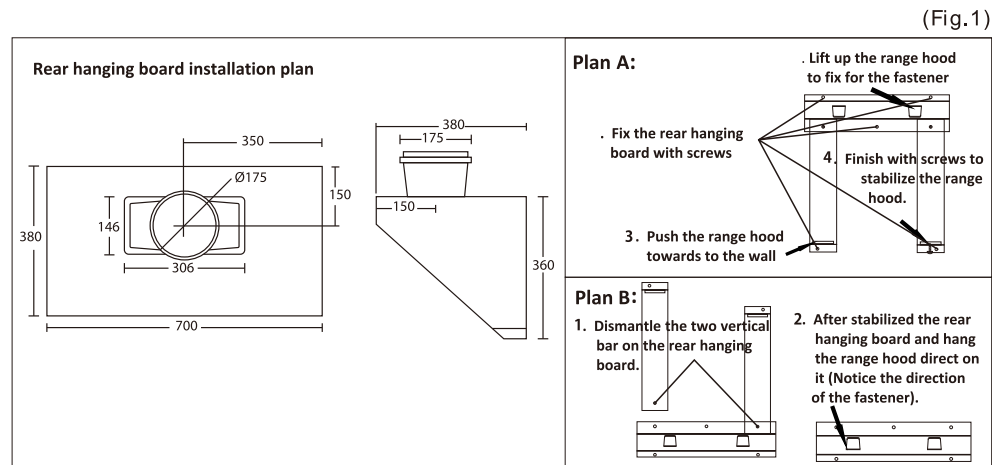
爆炸螺絲	5粒	掛機固定螺絲
海棉條	1條	貼在機身後面
說明書	1份	請妥善保管
保修卡	1份	請妥善保管
出風口	1個	安裝在煙機出風口處
集油杯	1個	安裝在煙機底部出油處
出風口轉換接口	1個	在接煙管時出風口需變小時使用
掛機支架	1套	安裝煙機時固定煙機
自功螺絲	8粒	安裝固定出風口
螺絲墊片	8粒	安裝固定出風口
海棉條	1條	貼在出風口底部

## PREPARATION FOR INSTALLATION

1. Electrical installation: The power supply, only 220V~50Hz be used. When you make electrical connection, check that the voltage values correspond to those indicated on the appliance.
2. Exhaust vent must be fitted complying contemporary laws and regulations. Exhaust must not be discharged into a exhausting flue for other burning gas/ fuel appliances.
3. Too many windows and doors will causes air convection, worsening the air-exhaust performance. (Fig.1)
4. The range hood must be installed directly above the stove. (Fig.2)
5. The hood must be kept in horizontal position to prevent grease from pouring out of the oil collector(s). (Fig.3)
6. For best exhaustion effect, please minimize the distance between the appliance and the exhaust vent outlet.
7. Distance of the hood should be kept 650mm-700mm above the hob/ cooker surface. (Fig.4)



## INSTALLATION PROCEDURES



1. Open the carton, please check and make sure warranty card, instruction booklet, pipe adaptor and all accessories are in.
2. Before plugging in, please check if the motor(s) and lamp function. To avoid personal injury or damage to the fan, please do not touch the fan inside the hood.
3. Take the plastic strip out from the accessory bag, tear off the tape. Stick the strip to the back of the range hood following the guidance points, one on each side. Press the strip slightly to ensure it is firmly attached.
4. Select suitable position for installation, drill holes on the wall using a 1/4" drill bit, and fix concrete anchors to the drilled holes.
5. This appliance allow 2 ways of installation. (Fig.1)

-Plan A: To fit underneath a cabinet, the appliance can be fitted to the bottom of the cabinet.

-Plan B: Free hanging on wall without a cabinet above.

6. Always keep the appliance in horizontal position. (Fig.2)

7. Installation position of exhaust vent:

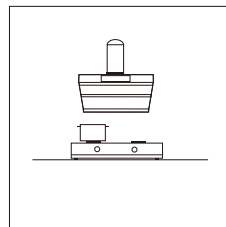
-Choose the nearest window, connect exhaust vent and direct the outlet out through window.

-Choose the wall which is nearest for the exhaust vent to go outdoor, drill holes on the wall, connect exhaust vent and direct the outlet to outdoor.

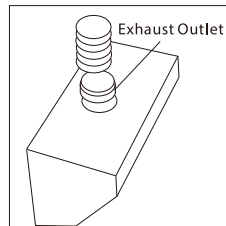
-Make sure the wall structure is strong enough for drilling holes and installing the hood, do not damage the wall except the drilling holes.

-Insert one end of the exhaust vent to the adaptor, then fit the adaptor to the top of the hood. (Fig.3)

(Fig.2)

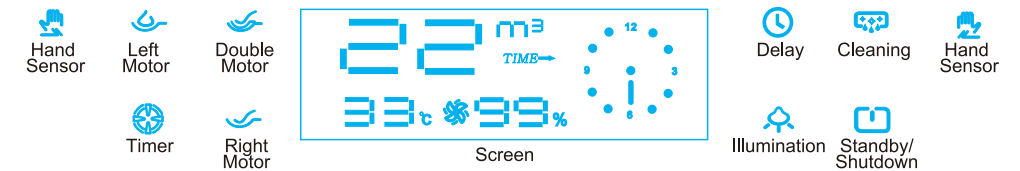


(Fig.3)



## OPERATION

Control Panel Icons:



1. Standby/Shut Down:

- After power on, all icons are on, after 2 seconds the icons will be out, then the machine enters the shutdown state.
- Standby: Touch in the off state, then all icons are on, and be standby state. The cover glass opens automatically.
- Shutdown: Touch in standby mode, all icons are out, the machine shuts down. The cover glass automatically closes, Touches in the delay state, it will immediately stop and shutdown.

2. Delay:

- Touch state to enter the delay state. The delay is 1 minute, after that it will automatically shut down.

3. Illumination:

- Touch in any state. The icon will be on and the illumination lamp is on. Touch it again and the light goes out.

4. Cleaning:

- In the standby state, press and hold to enter the automatic steam cleaning state. The cleaning time is 16 minutes and the machine will automatically shut down after the 16-minute countdown. The countdown is displayed in the screen.
- During the cleaning process, press and hold for 3 seconds or touch the shutdown key to stop cleaning.

5. Left Motor:

- In the standby mode, touch the icon , then left motor enters the fast mode, and the screen displays L2 R0.

Touch the left motor again to enter slow mode, the window displays L0 R2. When you continue to touch, it returns to the standby state and the fan stops running.

6. Right Motor:

- In standby mode, touch the icon to enter the fast mode window and the screen display L0 R2.

Touch the right motor again to enter slow mode, the screen displays L0 R1. When you continue to touch, it returns to the standby state and the fan stops running.

7. Double Motor:

- In standby mode, touch the icon to enter the fast mode, and L2 R2 is displayed on the screen.

Touch the double motor again to enter slow mode, the screen displays L1 R1. When you continue to touch, return to the standby state, the fan stop working.

8. Hand Sensor:

- This machine has sensor to control the fan on and off. The plan is about 5 cm away from the control panel.

-Turn on the fan: In the standby state, at 5 cm away from the left to the right, then the fan and lighting will be turn on at the same time, and the cover glass automatically opens:

-Turn off the fan: when the fan is working, at 5 cm away from the right to left then the fan and lighting will be turn off at the same time, and the cover glass automatically close:

9. Time setting:

- Press and hold for 3 seconds to enter the time setting in the shutdown state, the clock light flashes, press or to reduce or add the time; lightly press , the minute flashes, also press or to reduce or add the time, and then tap to complete the operation.



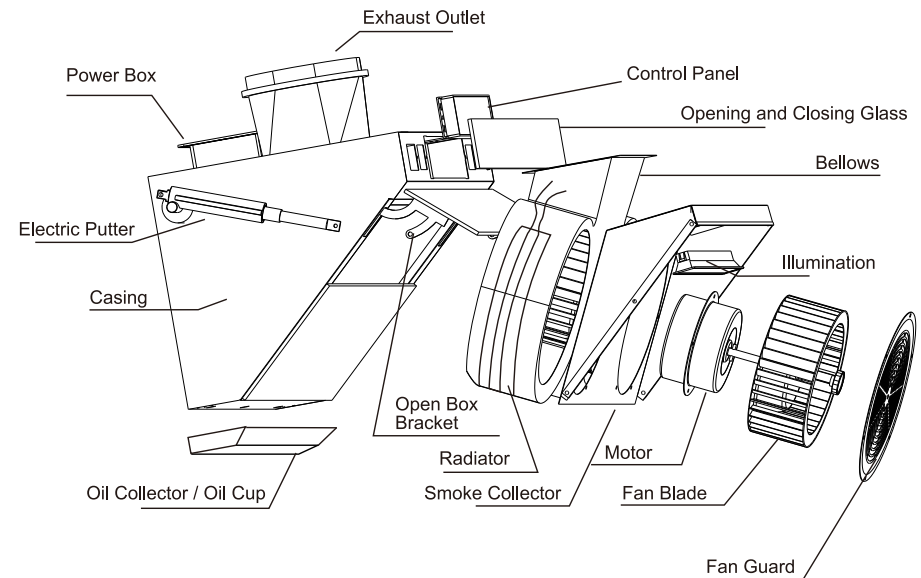
## SAFETY GUIDE

1. Do not use strong acid or strong alkaline detergent to clean the oil collector and oil cup, please use a neutral detergent to clean.
2. Make sure the power is off before replacing the light bulb. To change the bulb while operating, unplug the power for about 20 minutes. Beware of burning, change the bulb only if it is cool down.
3. It is forbidden to dismantle the appliance by an unqualified technician.
4. When frying, take particular care to prevent oil and grease from catching fire.
5. Do not turn on motor when remove or clean oil collector.
6. There shall be adequate ventilation of the room when the range hood is used at the same time as appliances burning as or other fuels.
7. There is a fire risk if cleaning is not carried out in accordance with the instructions.
8. Do not flame under the range hood.
9. The exhaust air must not be discharged into a flue which is used for exhausting fumes from appliances burning gas or other fuels.
10. If the power cord is damaged, it must be replaced by a qualified technician in order to avoid any hazard.
11. Do not clean the internal components of the hood.
12. Do not use caustic detergent to clean the fan blades; otherwise it may damage the blades coating. For cleaning the fan blades, it is suggested using neutral detergent and not soaking in the solution too long.
13. In case of any danger, don't connect the earthlings to the water pipe or gas pipe.
14. Do not flame under the range hood.
15. This appliance is not intended for use by persons (including children) with reduced physical, sensory or mental capabilities, or lack of experience and knowledge, unless they have been given supervision or instruction concerning use of the appliance by a person responsible for their safety.

## DAILY MAINTENANCE

Good maintenance gives the best performance and prolongs lifespan of the appliance. Disconnect power supply or unplug before maintenance and cleaning!

1. Always keep the appliance clean:  
Please wipe the casing and surface of the bottom plate, with dry cloth or cloth soaked in mild detergent.
2. Clean the oil collectors/oil cups:  
To avoid overflow, empty the oil collectors/oil cups before they reach 4/5 full.





## TROUBLE SHOOTING

1. Be reminded to immediately cut off power supply when troubles occur, and contact qualified technician.
2. Disconnect the power before repairing.

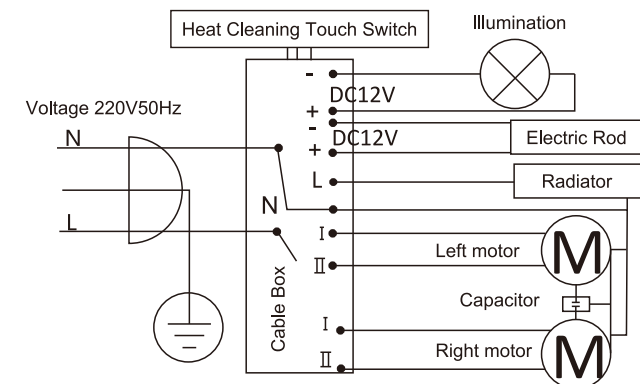
Status	Cause and Method of Repairing
Power cord is damaged	Replace the power cord. VDE HO5W-F 0.75mm <sup>2</sup> x3C (Green/yellow earthing wire) Plug specification: 250V/ 13A 3-rectangular-pin fused plug.
Illumination works but motor(s) does/do not run	The capacitor should be replaced if burnt. If there is a burning odor, the motor may have been burnt. Replace with a new motor.
Appliance vibration	Check if the motors are firmly screwed. If the motor has been tightened, it will be caused by the damaged fan blade. The unstable rotation will cause vibration; replace with a new one.
Inadequate suction	Range hood and cooking surface is too far apart. Too many doors or windows around the hood causing convection. If the hood is installed in front of window, please put a piece of plywood below back side of the hood so as to cover the window. Please refer to the installation Procedures and Safety Guides for installation.
Appliance is not installed horizontally	If appliance is inclined to lateral side, adjust hangers of both sides for leveling. If appliance is inclined forward, screw further to the wall, or check if screws are firmly fitted to hangers.

## SPECIFICATIONS

Model	NRHN-400
Colour	Stainless Steel
Voltage	220V~50Hz
Control Panel	Touch Screen
Illumination	LED 1X3W
Diameter of Exhausting Hole	∅ 160mm / ∅ 6.5"
Exhaustion Flow	960 m <sup>3</sup> /h
Maximum Power Consumption	253W
Dimensions (Width x Depth x Height)	700x380x360mm

## WIRING DIAGRAM

(Left/Right) Touch screen control range hood with steam cleaning feature



## ACCESSORIES

---

Anchor Bolt	5PC	For fixing the appliance
Plastic Strip	1PC	Stick to the back of the appliance
Manual	1PC	Please keep it properly
Warranty Card	1PC	Please keep it properly
Exhaust Outlet	1PC	Install at the air outlet of the range hood
Oil Collector/Oil Cup	1PC	Install the oil collector at the bottom of the range hood
Pipe Adaptor	1PC	Use it when the air outlet becomes smaller
Water Supply Cup	1PC	Use it to add water
Hanging Bracket	1PC	Fixed range hood while installing
Self-tapping Screws	8PC	Install the fixed air outlet
Screw Gaskets	8PC	Install the fixed air outlet
Plastic Strip	1PC	Stick at the bottom of the air outlet